

## Neo-Dyn® Series 231P Pressure Switch/Internal Adjustment

Compact, adjustable pressure switch for high pressure hydraulic process applications. Using our efficient Nega-Rate® Belleville disc spring, we offer superior set point stability and vibration resistance.

### Operating Pressure Data

Adjustable Range Number	Adjustable Set Point Range		Deadband (approximate)	Maximum Recommended System Pressure	Proof Pressure
	Increasing	Decreasing			
3	*	250 to 710	90	4000	5000
4	*	600 to 1050	140	4000	5000
5	*	700 to 2700	300	6000	8000
6	*	2400 to 4400	450	6000	8000
7	*	4100 to 6500	500	8000	10000

All values given in psig unless otherwise noted.  
 \* Add selected deadband to decreasing pressure range.

### Standard Specifications

#### Electrical Listings

Snap action electrical switch recognized by Underwriters' Laboratories, Inc. and CSA International

#### Electrical Connection

1/2 NPT male conduit connection with PVC insulated 18AWG, 18" long leads

#### Pressure Connection

1/4 NPT Female  
 1/2 NPT Male

#### Temperature Range\*

Ambient: -40°F to +180°F  
 (-40°C to +82°C)  
 Media: -40°F to +300°F  
 (-40°C to +149°C)

\* Temperature limits change with O-Ring selection

#### Adjustment

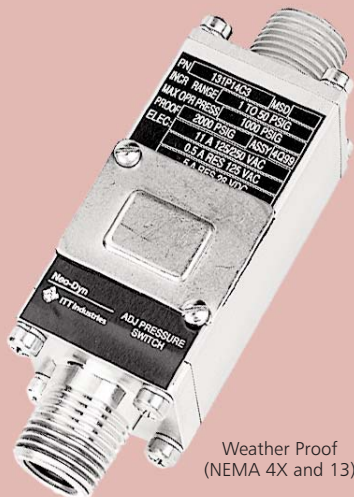
Internal, slotted adjustment nut

#### Shipping Weight

Approximately 20 ounces



Order Miscellaneous Option "D"



### Ordering Sequence — Select desired option for each category

#### OPTIONS

##### Wetted Material

- 1 Aluminum port and piston, teflon seal, and Buna-N O-Ring
- 4 316 stainless steel port and piston, teflon seal, and Buna-N O-Ring

##### Adjustable Range

- 3 250 psig dec. to 800 psig inc. (17.3 bar dec. to 55.1 bar inc.)
- 4 600 psig dec. to 1190 psig inc. (41.4 bar dec. to 82.0 bar inc.)
- 5 700 psig dec. to 3000 psig inc. (48.3 bar dec. to 207 bar inc.)
- 6 2400 psig dec. to 4850 psig inc. (165 bar dec. to 334 bar inc.)
- 7 4100 psig dec. to 7000 psig inc. (283 bar dec. to 483 bar inc.)

##### Electrical Form

- C 11 amp, 1/4 hp at 125 or 250 VAC; 5 amp resistive, 3 amp inductive at 28 VDC; .5 amp resistive at 125 VDC
- CC 11 amp, 1/4 hp at 125 or 250 VAC; 5 amp resistive, 3 amp inductive at 28 VDC; .5 amp resistive at 125 VDC

##### Enclosure

- 3 Meets or exceeds the requirements of NEMA Type 3, 3R, 3S, 4, 4X and 13

##### Miscellaneous

- A Epoxy paint exterior — extra protection for severe environments
- B Viton O-Ring
- C EPR O-Ring
- D SIL approval and marking, per IEC61508 (includes FMEA report)
- I 3/4 NPT conduit box with terminal strip
- J Annealed stainless steel port screws for H<sub>2</sub>S environments — Consult factory for reduced system and proof pressure ratings (Not available with X option)
- M Gold electrical contacts for extremely low current applications
- R 72" Electrical free leads
- Z Mounting bracket kit
- X CE Mark

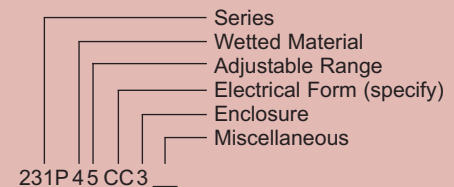
##### Special (Consult representative or factory)

- Non-catalog adjustable range and/or set point, deadband and proof pressure

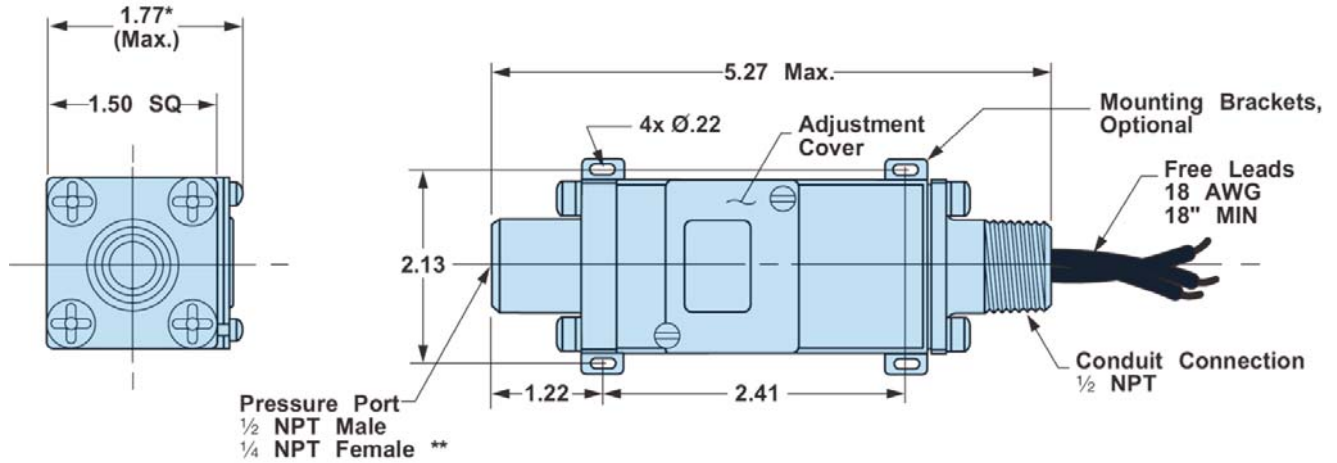
### Ordering Procedure

- When factory presetting is desired, stipulate set point, increasing or decreasing
- Insert available option number or letter designation as required

### Example

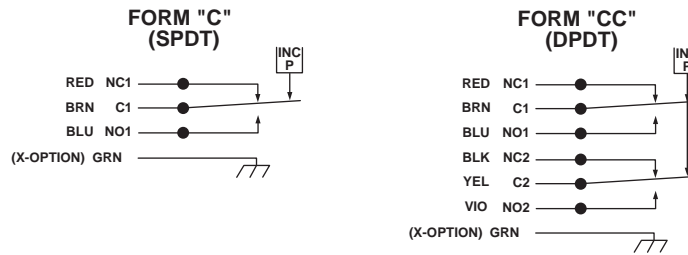


Envelope Dimensions

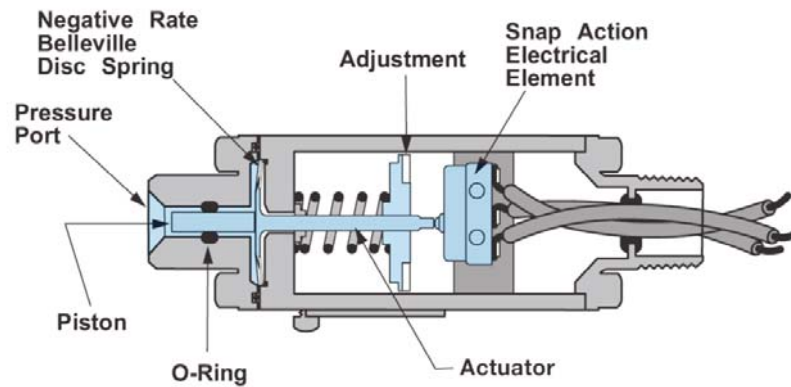


\*1.90 Max. with Mounting Bracket

Electrical Form



Basic Principles of Design



Specifications and dimensions subject to change.