

## Neo-Dyn® Series 117P Sanitary Pressure Switch/Internal Adjustment

This field adjustable, compact pressure switch is intended for low- to mid-range process applications. The Tri-Clamp® compatible, polished, process connection makes this switch ideal for food, beverage and other sanitary services. Set point stability and vibration resistance are a function of the Nega-Rate® Belleville disc spring. This unit features 316 stainless steel construction, an explosion-proof/hermetically sealed electrical assembly, 18" standard free leads and SPDT or DPDT electrical forms and a wetted material surface polish of 9 - 11 micro inch Ra (0.23 - 0.28 micron Ra).†

### Operating Pressure Data

Adjustable Range Number	Adjustable Set Point Range		Deadband (approximate)	*Maximum Recommended System Pressure	*Proof Pressure
	Increasing	Decreasing			
2	3 to 30	1 to 28	2	1000	1500
4	20 to 80	15 to 75	5	1000	1500
5	50 to 250	30 to 230	20	1000	1500
6	200 to 400	175 to 375	25	1000	1500
7	375 to 725	330 to 680	45	1000	1500

All values given in psig.

\*Note: Pressures are switch ratings. Check clamp manufacturer for clamp rating.

### Standard Specifications

#### Electrical

Snap action electrical switch listed by Underwriters' Laboratories, Inc., Factory Mutual and CSA International

#### Electrical Connection

1/2 NPT male conduit connection with PVC insulated 18 AWG, 18" long leads

#### Pressure Connection

1 1/2" sanitary fitting mates with Tri-Clamp® fitting†

#### Temperature Range

Ambient: -40°F to +180°F  
(-40°C to +82°C)

Media: -40°F to +250°F  
(-40°C to +121°C)

#### Adjustment

Internal, slotted adjustment with range scale

#### Shipping Weight

Approximately 2 pounds



Explosion Proof  
Hermetically Sealed  
(NEMA 4X, 7, 9 and 13)

### Ordering Sequence — Select desired option for each category

#### OPTIONS

##### Wetted Material

**5** 316 stainless steel port and diaphragm, heliarc welded

##### Adjustable Range

<b>2</b>	1 psig dec. to	30 psig inc.	(.07 bar dec. to	2.1 bar inc.)
<b>4</b>	15 psig dec. to	80 psig inc.	(1.0 bar dec. to	5.5 bar inc.)
<b>5</b>	30 psig dec. to	250 psig inc.	(2.1 bar dec. to	17.2 bar inc.)
<b>6</b>	175 psig dec. to	400 psig inc.	(12.1 bar dec. to	27.6 bar inc.)
<b>7</b>	330 psig dec. to	725 psig inc.	(22.8 bar dec. to	50.0 bar inc.)

##### Electrical Form

**C** 11 amp, 1/4 hp at 125 or 250 VAC; 5 amp resistive, 3 amp inductive at 28 VDC; .5 amp resistive at 125 VDC

**CC** 11 amp, 1/4 hp at 125 or 250 VAC; 5 amp resistive, 3 amp inductive at 28 VDC; .5 amp resistive at 125 VDC

##### Enclosure

**6** Explosion proof, hermetically-sealed electrical assembly, EX d IIC. Part Numbers 057-0770 & 057-0772 (Form C) and 057-0771 & 057-0773 (Form CC). Agency listings include **Underwriters Laboratories, Inc.**, **CSA International**, **Factory Mutual**, and **Inmetro**. Division 1 and 2, Class I, Groups A, B, C, and D; Class II, Groups E, F, and G. NEMA 4X, 7, and 9; IP66. Leads are factory sealed.

##### Miscellaneous

**I** 3/4 NPT conduit box with terminal strip (Groups C & D only, not available with N option)  
**M** Gold electrical contacts for extremely low current applications  
**N** ATEX approval  
**R** 72" Electrical free leads

#### Special (Consult representative or factory)

- Non-catalog adjustable range and/or set point, deadband and proof pressure

†Tri-Clamp® is a Registered Trademark of Tri-Clover Inc.

### Ordering Procedure

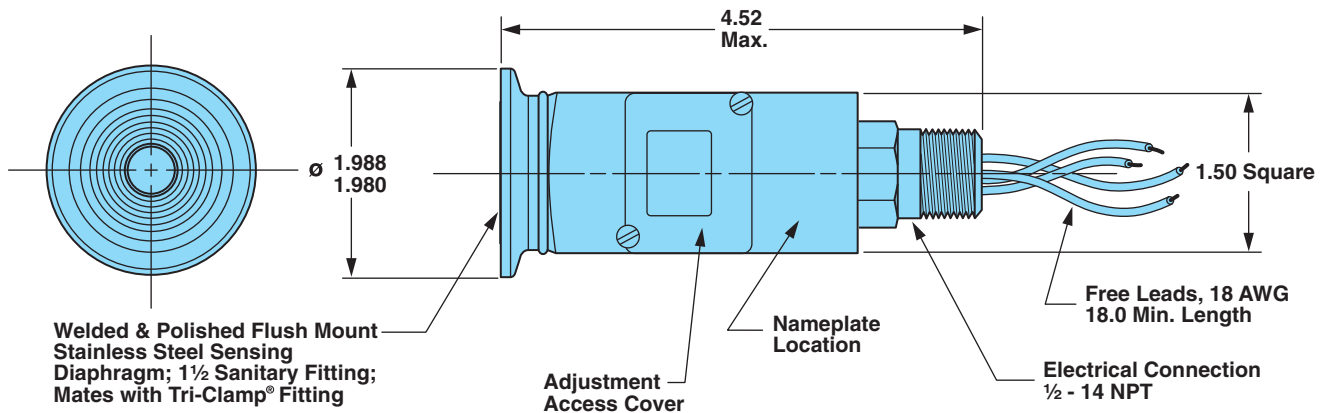
- When factory presetting is desired, stipulate set point, increasing or decreasing
- Insert available option number or letter designation as required

### Example

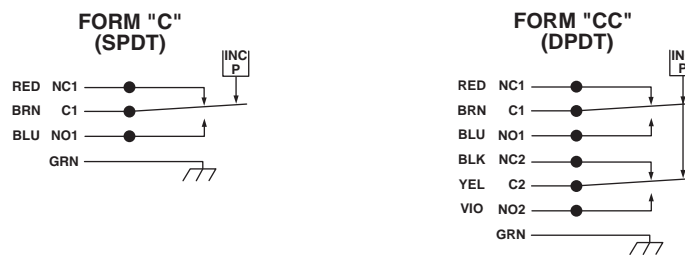
Series  
Wetted Material  
Adjustable Range  
Electrical Form (specify)  
Enclosure  
Miscellaneous

117P 52 C 6 \_

Envelope Dimensions



Electrical Form



Basic Principles of Design

