

## Switch Accessories

### Junction Box P/N 086-0048

Explosion Proof Junction Box with terminal strip electrical connections. Suitable for Div 1 hazardous areas when used in conjunction with any Enclosure 6 electrical used on Neo-Dyn Pressure or Temperature Switches.



Div. 1  
Explosion Proof

### Standard Specifications

#### Electrical Connection

3/4" NPT female conduit connection.

#### Area Classification

Suitable for use in Div 1, Class I, Groups C & D; Class II, Group E, F & G hazardous locations in accordance with NFPA 70.

#### Wiring Guide

Terminal strips will accept 14 to 20 AWG wire when installed in accordance with NFPA 70.

### Ordering Sequence

#### OPTIONS

##### Electrical Form

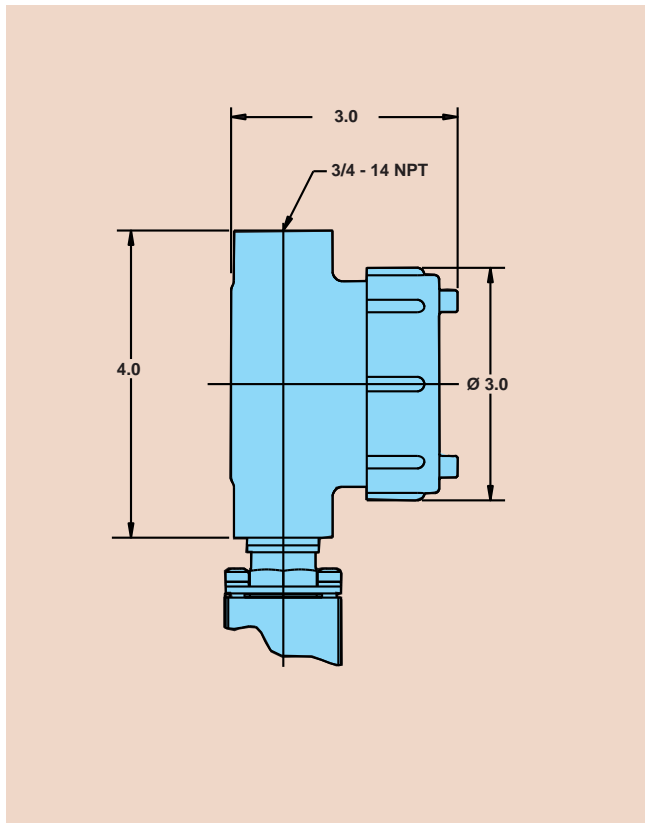
- 01 SPDT Terminal Strip with markings to indicate normally open (NO), common (C) and normally closed (NC).
- 02 DPDT Terminal Strip with markings to indicate two normally open (NO1, NO2), two common (C1, C2) and two normally closed (NC1, NC2) terminals.

#### Examples

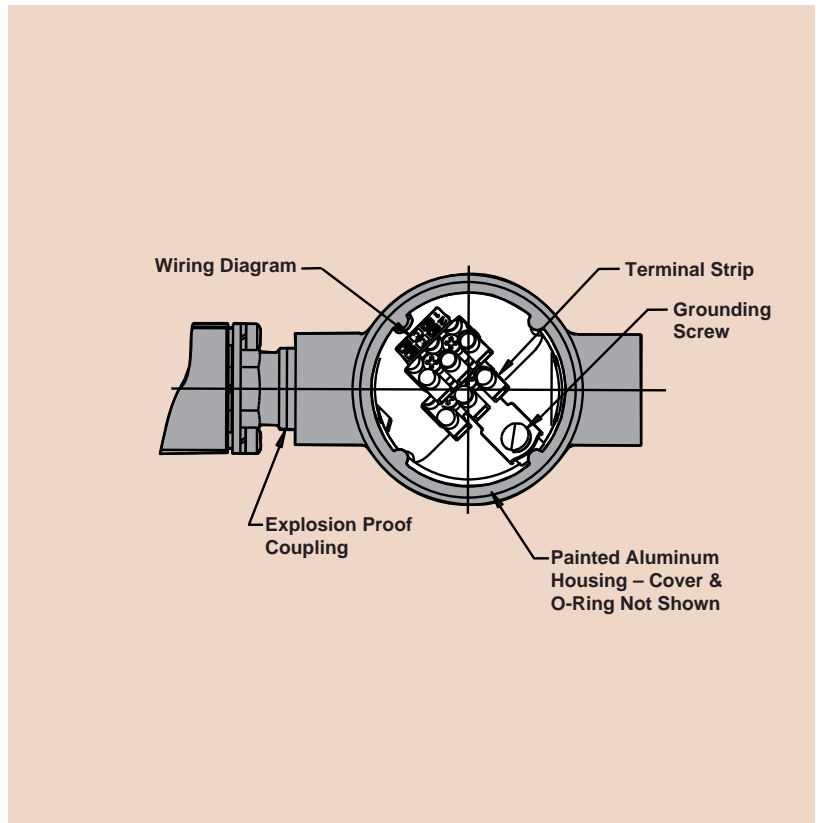


# Junction Box P/N 086-0048

## Envelope Dimensions



## Basic Principles of Design



## Wiring Diagram

