

Neo-Dyn® Series 110P Pressure Switch/Internal Adjustment

Sensitive Nega-Rate® Belleville spring adjustable pressure switch for low pressure applications.

Operating Pressure Data

| Adjustable Range Number | Adjustable Set Point Range | | Deadband (approximate) | Maximum Recommended System Pressure | Proof Pressure |
|-------------------------|---|---|------------------------|-------------------------------------|----------------|
| | Increasing | Decreasing | | | |
| 2 | 10" H ₂ O to 100" H ₂ O | 7" H ₂ O to 97" H ₂ O | 3" H ₂ O | 300 | 500 |
| 4 | 3 to 15 | 2.75 to 14.75 | .25* | 300 | 500 |

All values given in psig.

*Deadband increases to .4 psi (approx.) in "CC6" configuration.

Standard Specifications

Electrical

Snap action electrical switch listed by Underwriters' Laboratories, Inc., Factory Mutual and CSA International

Electrical Connection

1/2 NPT male conduit connection with PVC insulated 18 AWG, 18" long leads

Pressure Connection

Wetted Material 1
1/4 NPT Female

Wetted Material 4
1/2 NPT Female

Temperature Range*

Ambient: -40°F to +180°F
(-40°C to +82°C)

Media: -40°F to +300°F
(-40°C to +149°C)

*Temperature limits change with O-Ring selection. See Electrical Assembly specification sheet for Temperature Class Ratings.

Adjustment

Concealed wrench flat adjustment with range scale

Shipping Weight

Approximately 3 pounds



Order Miscellaneous Option "D"



Ordering Sequence — Select desired option for each category

OPTIONS

Wetted Material

- 1 Aluminum port, Teflon coated polyimide diaphragm and Buna-N O-Ring
- 4 316 stainless steel port, Teflon coated polyimide diaphragm and Buna-N O-Ring

Adjustable Range

- 2 7" H₂O dec. to 100" H₂O inc. (17 millibar dec. to 249 millibar inc.)
- 4 2.75 psig dec. to 15 psig inc. (0.2 bar dec. to 1.0 bar inc.)

Electrical Form

- C 11 amp, 1/4 hp at 125 or 250 VAC; 5 amp resistive, 3 amp inductive 28 VDC; .5 amp resistive at 125 VDC
- CC 11 amp, 1/4 hp at 125 or 250 VAC; 5 amp resistive, 3 amp inductive 28 VDC; .5 amp resistive at 125 VDC

Enclosure

- 6 Explosion proof, hermetically-sealed electrical assembly, EX d IIC. Part Numbers 057-0770 & 057-0772 (Form C) and 057-0771 & 057-0773 (Form CC). Agency listings include **Underwriters Laboratories, Inc.**, **CSA International**, **Factory Mutual**, and **Inmetro**. Division 1 and 2, Class I, Groups A, B, C, and D; Class II, Groups E, F, and G. NEMA 4X, 7, and 9; IP66. Leads are factory sealed and Pressure Switches are Dual Seal Certified.

Miscellaneous

- A Epoxy paint exterior — extra protection for severe environments
- B Viton O-Ring
- C EPR O-Ring
- D SIL approval and marking, per IEC61508 (includes FMEA report)
- F Fire fuse — for fire-tested equipment (wetted material 4 only; not available with option G)
- G 1/2 NPT male port (wetted material 4 only)
- I 3/4 NPT conduit box with terminal strip (Groups C & D only, not available with N option)
- M Gold electrical contacts for extremely low current applications
- N ATEX and IECEx with CE Mark
- R 72" Electrical free leads
- S Stainless steel diaphragm (wetted material 4 only)
- W Stainless steel screws — exterior (standard with wetted material 4)

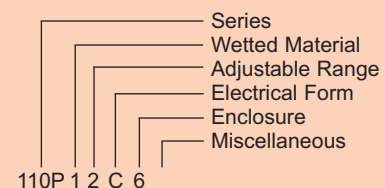
Special (Consult representative or factory)

- Non-catalog adjustable range and/or set point, deadband and proof pressure
- Chemical seals installed

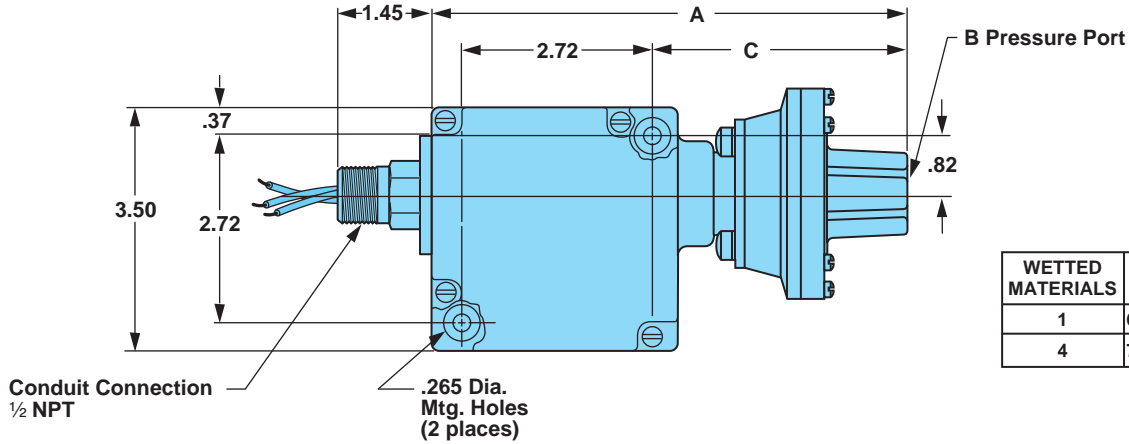
Ordering Procedure

- When factory presetting is desired, stipulate set point, increasing or decreasing
- Insert available option number or letter designation as required

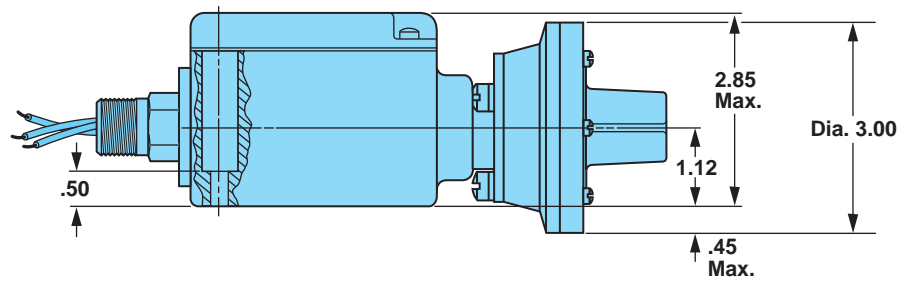
Example



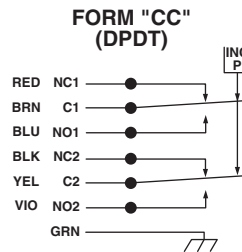
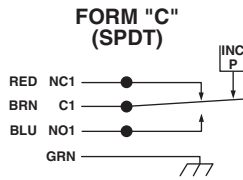
Envelope Dimensions



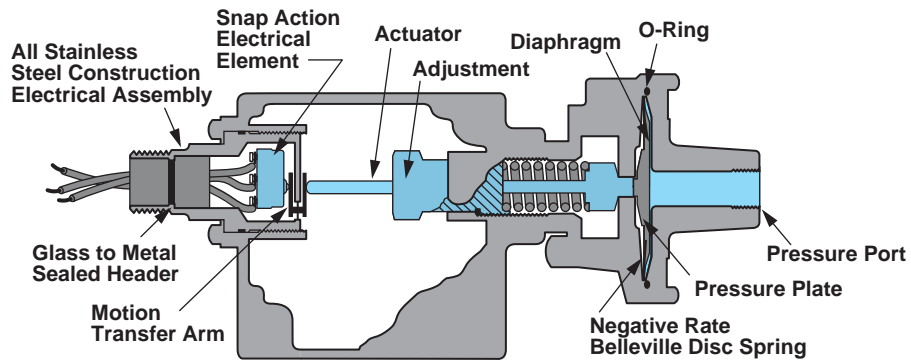
| WETTED MATERIALS | A | B | C |
|------------------|-----------|-------|----------|
| 1 | 6.75 Max. | ¼ NPT | 3.7 Max. |
| 4 | 7.15 Max. | ½ NPT | 4.1 Max. |



Electrical Form



Basic Principles of Design



Specifications and dimensions subject to change.

