

Neo-Dyn® Series 152P8 Ultra Low Differential Pressure Switch

Ultra low adjustable differential pressure switch. Unique construction using efficient Nega-Rate® Belleville disc spring for stable set points and high proof pressure. Explosion proof enclosure and wide range of wetted materials makes this switch especially well suited for hazardous or corrosive atmospheres.

Operating Pressure Data

Adjustable Range Number	Adjustable Set Point Range	Deadband* (approximate)	Maximum Recommended System Pressure	Proof Pressure
	Increasing			
2	2" to 100" H ₂ O Differential	1.5" H ₂ O	15 psig Simul. or Hi over Low 100" H ₂ O Low over Hi	100 PSI Simul. or Hi over Low 15 PSI Low over Hi

*Deadband 50% wider with "CC" (DPDT) Electrical Forms.

Standard Specifications

Electrical

Snap action electrical switch assembly listed by Underwriters' Laboratories, Inc., Factory Mutual and CSA International

Electrical Connection

1/2 NPT male conduit connection with PVC insulated 18 AWG, 18" long leads

Pressure Connection

High — 1/2 NPT Female
Low — 1/4 NPT Female

Temperature Range*

Ambient: -40°F to +180°F
(-40°C to +82°C)
Media: -50°F to +250°F
(-46°C to +121°C)

*Temperature limits change with O-Ring selection. See Electrical Assembly specification sheet for Temperature Class Ratings.

Adjustment

Concealed wrench flat adjustment with range scale

Shipping Weight

Approximately 4 pounds



Order Miscellaneous Option "D"



Explosion Proof
Hermetically Sealed
(NEMA 4X, 7, 9 and 13)

Ordering Sequence — Select desired option for each category

OPTIONS

Adjustable Range

2 .5" H₂O dec. (1.2 mb) to 100" H₂O inc. (2.49 mb)

Electrical Form

C 11 amp, 1/4 hp at 125 or 250 VAC; 5 amp resistive, 3 amp inductive at 28 VDC; .5 amp resistive at 125 VDC
CC 11 amp, 1/4 hp at 125 or 250 VAC; 5 amp resistive, 3 amp inductive at 28 VDC; .5 amp resistive at 125 VDC

Enclosure

6 Explosion proof, hermetically-sealed electrical assembly, EX d IIC. Part Numbers 057-0770 & 057-0772 (Form C) and 057-0771 & 057-0773 (Form CC). Agency listings include **Underwriters Laboratories, Inc.**, **CSA International**, **Factory Mutual**, and **Inmetro**. Division 1 and 2, Class I, Groups A, B, C, and D; Class II, Groups E, F, and G. NEMA 4X, 7, and 9; IP66. Leads are factory sealed and Pressure Switches are Dual Seal Certified.

Miscellaneous

A Epoxy paint exterior — extra protection for severe environments
D SIL approval and marking, per IEC61508 (includes FMEA report)
I 3/4 NPT conduit box with terminal strip (Groups C & D only, not available with N option)
M Gold electrical contacts for extremely low current applications
N ATEX and IECEx with CE Mark
R 72" Electrical free leads

Port Material

1 316 Stainless Steel High/Aluminum Low
4 316 Stainless Steel High/Low

Diaphragm

1 Polyimide
4 316 Stainless Steel
6 Tantalum
7 Hastelloy C

O-Rings

2 Kalrez
3 Viton
5 EPR
8 Buna-N

Special (Consult representative or factory)

- Non-catalog adjustable range and/or set point, deadband and proof pressure
- Media temperature capabilities from -65°F to +400°F

Ordering Procedure

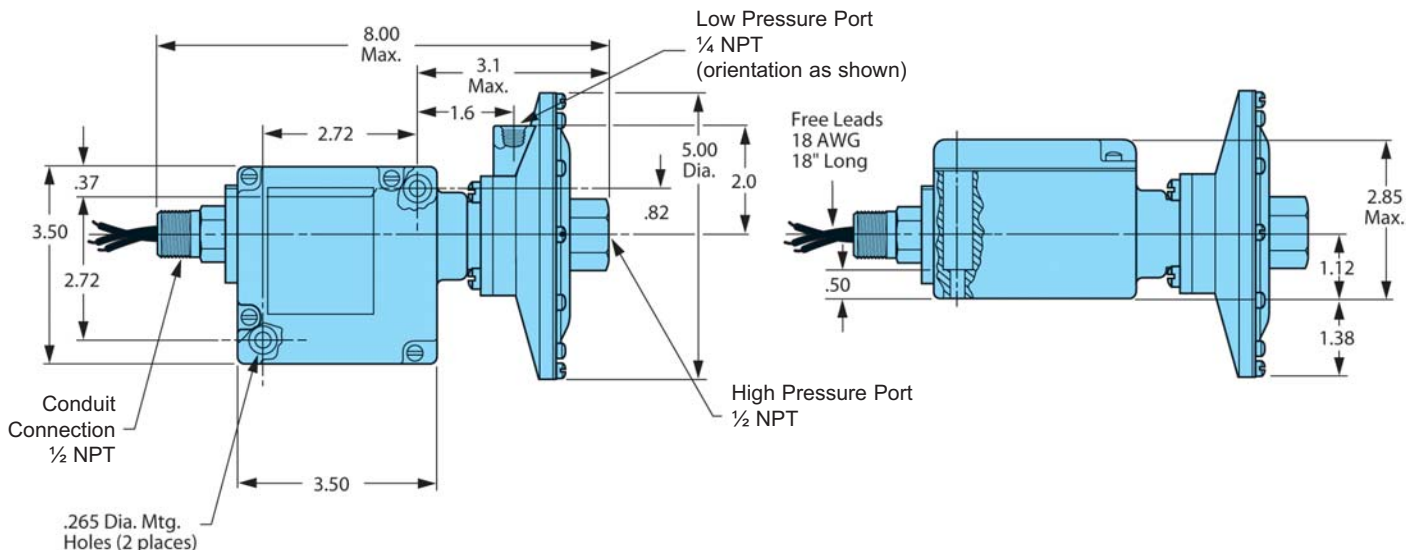
- When factory presetting is desired, stipulate set point, increasing or decreasing and system pressure
- Insert available option number or letter designation as required

Example

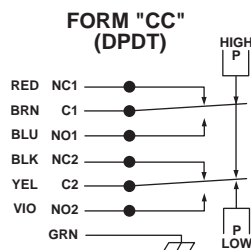
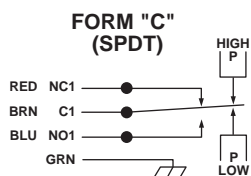
Series
Adjustable Range
Electrical Form
Enclosure
Miscellaneous
Port Material
Diaphragm
O-Rings

152P 82 CC 6 __ 463

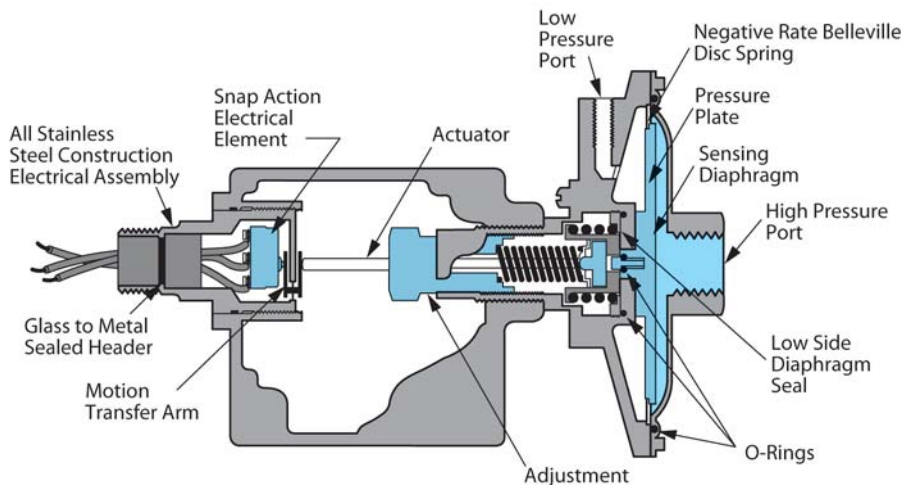
Envelope Dimensions



Electrical Form



Basic Principles of Design



Specifications and dimensions subject to change.

